

MINI POTENCE PIVOTANTE

Charlotte Perriand

Embossed wall lamp. Body in aluminium and metal, painted matt black. Diffuser is a opal glass bubble. Arm fixed to the wall and rotating to the horizontal axis, describing a 180° corner. Power cable with plug and dimmer. Available also in the MINI version.



HALO/LED

LAMPING

Source	halopin G9 QT-14
Total power	4W
Emission	diffused
Switching	dimmable
Tension	230V
Color temperature	2700K
Luminous flux	400lm
Materials	aluminium
Notes	switch on cable, LED dimmable bulb included, max power allowed 25W HALO bulb, cover for direct wall electrical installation (no plug), dimmable (only with direct wall electrical installation), cable length 2,5m
Accessories	wall electrical installation cover,

Codes

POM HNW 31

Structure

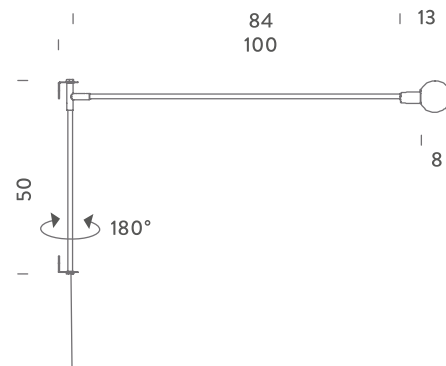
black

PACKAGE

Package 01 11x23x190 cm / Gross weight: 6.7 Kg

Package 02 17x17x20 cm / Gross weight: 0.7 Kg

Certificazioni



wall electrical
installation
cover

