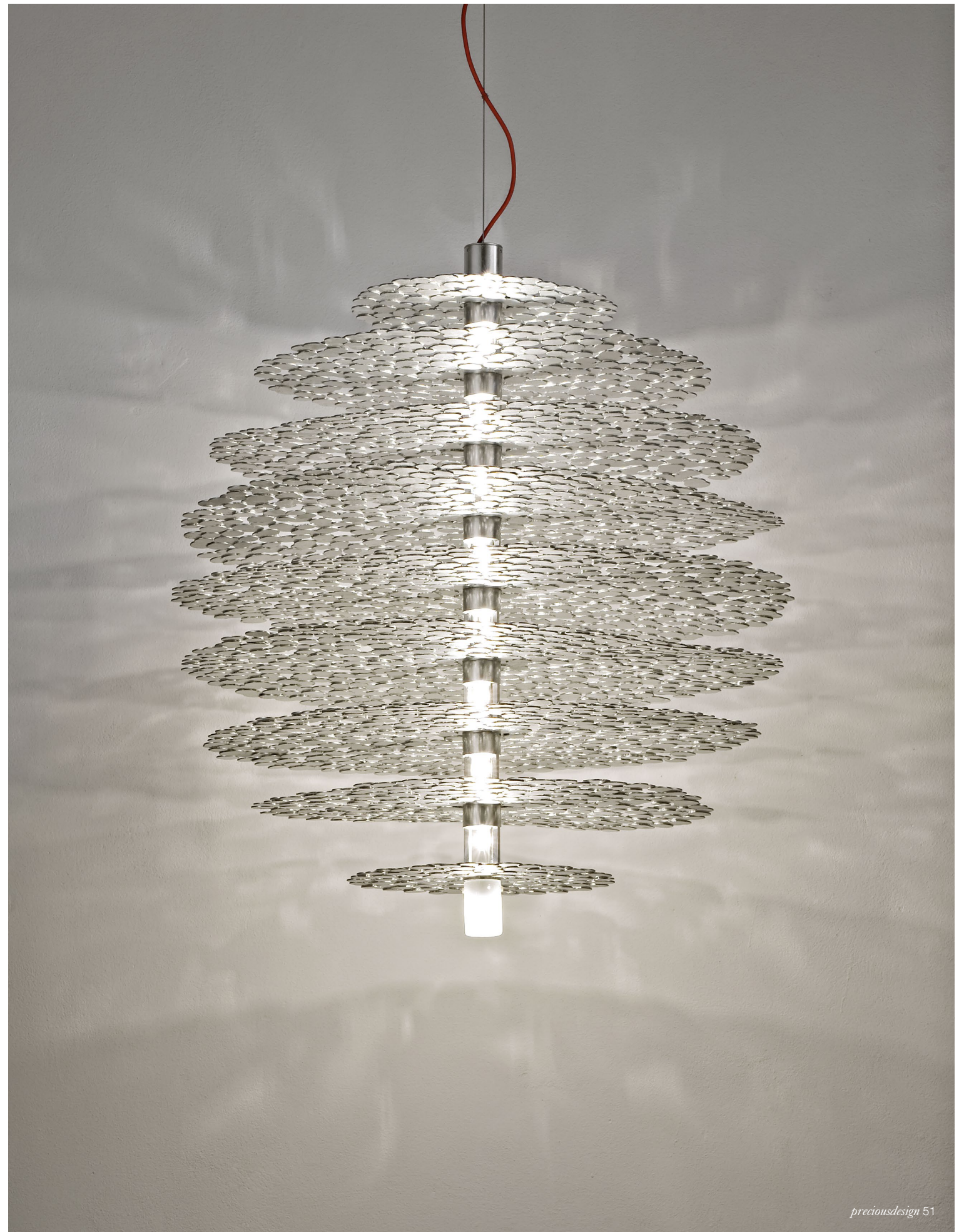


# Tresor, a Wealth *of Light.*

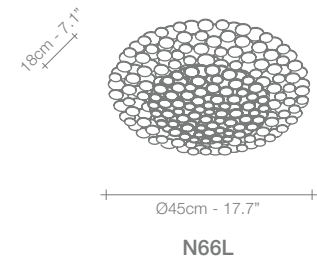
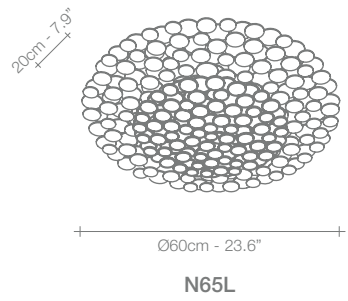
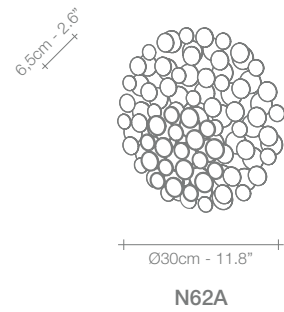
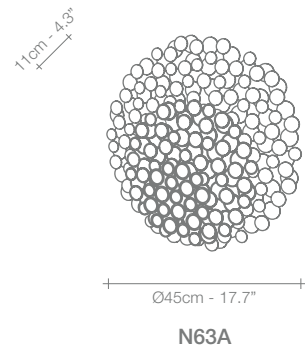
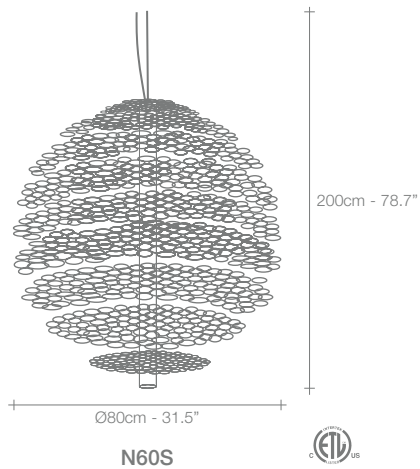
An impeccable addition to any space, Tresor's hand-made design and precious metal "coins" create scintillating halos of light. Recalling discovered treasure, the layers of gold or silver leaf create a rich, luxurious light. Available in a range of sizes, including wall sconces and pendants, tresor has an elegance that is truly priceless. Design Jean François Crochet.











GOLD LEAF



SILVER LEAF

	N60S	N62A	N63A	N65L	N66L
230V	HALOGEN ES G9	9X33W (=9X40W)	48W (=60W)	2X48W (=2X60W)	6X33W (=6X40W)
120V	HALOGEN JCD G9	9X35W	50W	2X50W	6X35W

LED LIGHT BULBS MAY BE USED

