

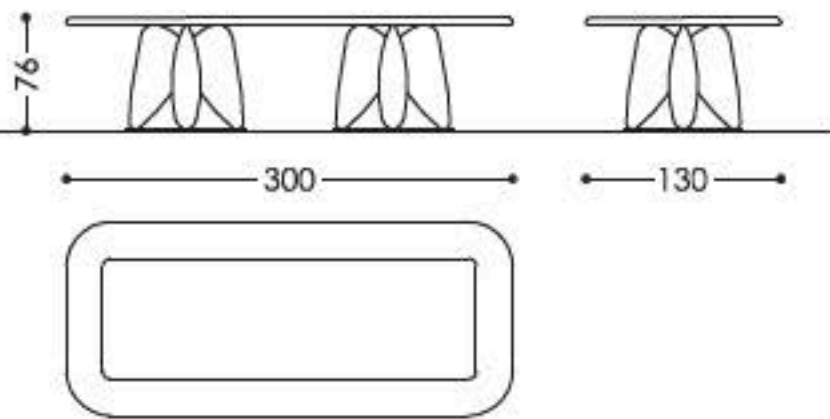
# WARHOL TABLE



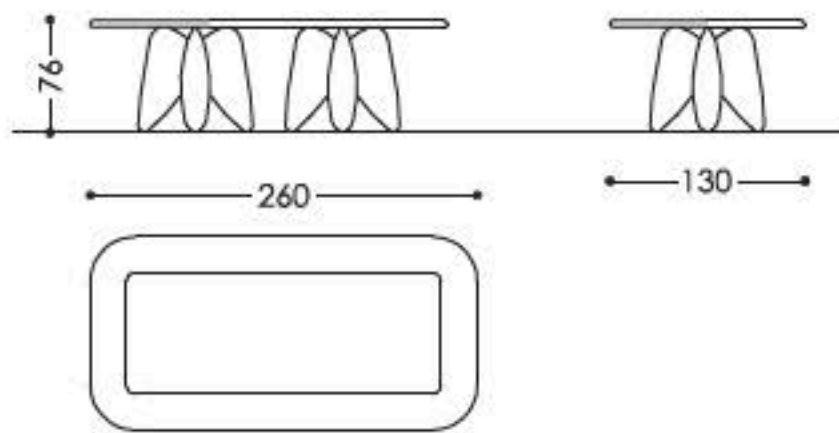
Tavolo in legno. Disponibile in diverse essenze secondo campionario o laccato in colori RAL. Piano in legno intarsiato o laccato in colori RAL con inserto in vetro retrolaccato, o in versione cristallo bisellato. Inserti in metallo: effetto ottone verniciato, nickel satinato, cromo, verniciato in colori RAL.

*Table in wood. Available in different wood finishes according to samples or lacquered in RAL colors. Top in inlaid wood or lacquered in RAL colors with back lacquered glass insert, or completely in bevelled glass. Metal parts finishes: brass painted effect, nickel satin, chrome, painted in RAL colors.*

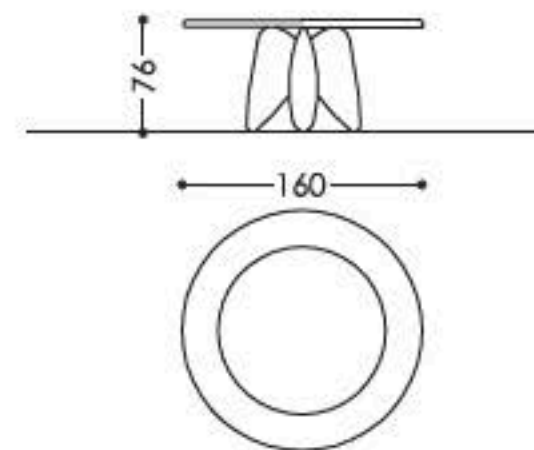
WOOD TOP  
WAR300



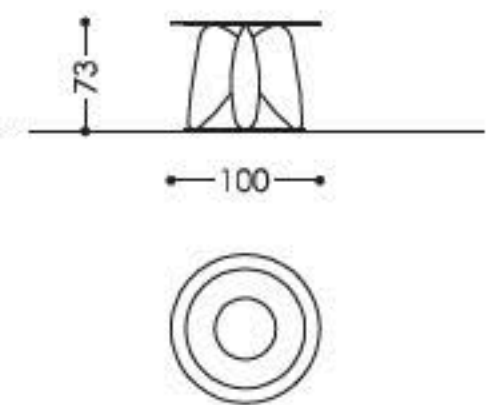
WAR260



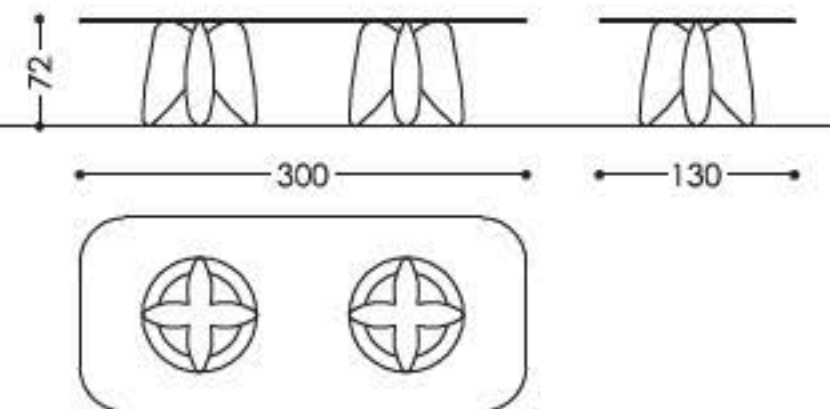
WAR 160



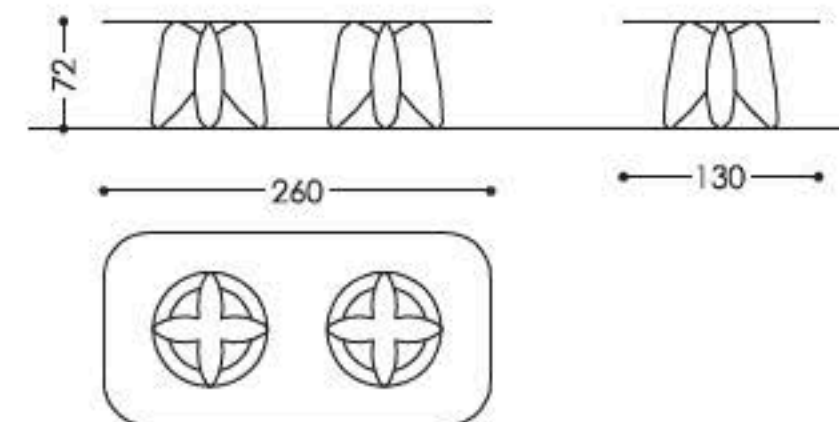
WAR 100



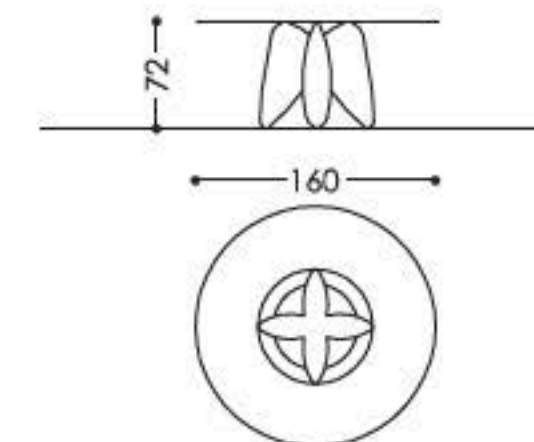
GLASS TOP  
WAR300



WAR260



WAR 160



WAR 100

