

ELLISSE PENDANT MEGA

Federico Palazzari

LED pendant lamp, available in five versions: major, minor and double, triple and mega, widespread direct or indirect lighting. Extruded aluminium painted matt white or matt black, polished or glossy gold anodized. Opaline diffuser. Ellisse is manufactured through a proprietary technology to combine the extruded bars (patent pending). Major version available also for wall and floor applications, with a marble base on the floor version and with a wall kit mounting on the wall one.



DOWNLIGHT

LAMPING

Source	linear LED
Total power	85W
Emission	diffused
Switching	dimnable 1-10V
Tension	110 / 230 V
Color temperature	3000K
Luminous flux	6500lm (real flux)
Energy class	A+
Notes	cable lenght 2,5m; gold polished anodized/polished aluminium on request

Codes

ELP LWW 59

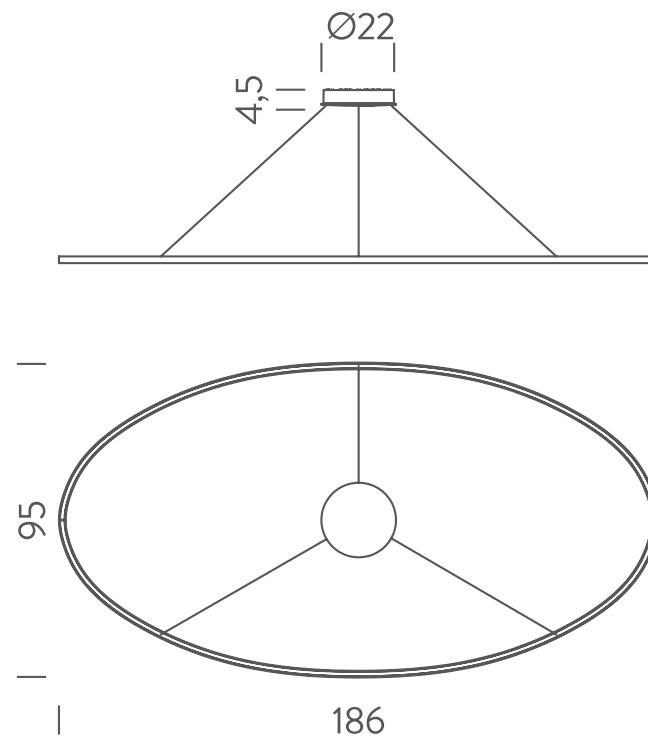
ELP LNW 59

Structure

white

black

Certificazioni



UPLIGHT

LAMPING

Source	linear LED
Total power	linear LED
Emission	diffused
Tension	110 / 230 V
Color temperature	3000K
Luminous flux	6500lm (real flux)
Energy class	A+
Notes	cable lenght 2,5m; gold polished anodized/polished aluminium on request

Codes

ELP LWW 58
ELP LNW 58

Structure

white
black

Certificazioni

