



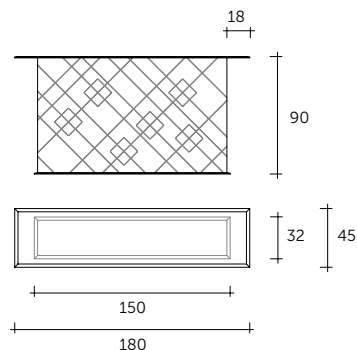
# Canova

DESIGN  
MARZIA E LEO DAINELLI

portata sul piano: 40 kg  
load capacity on the top: 40 kg

Consolle composta da struttura in legno massello imbottito, rivestita in pelle. Piano in vetro fumè o bronzo temperato da 10 mm bisellato. Base in ottone finitura nichel nero.

*Console with upholstered, solid wood structure, covered in leather. Top in 10 mm smoked or bronze tempered glass with bevelled edges. Base with black nickel-plated brass.*



dimensioni L, P, H  
dimensions L, W, H  
(cm)

COD./CODE

L

P/W

H

peso netto  
net weight  
(kg)

peso lordo  
gross weight  
(kg)

volume imballo  
package volume  
(m<sup>3</sup>)

Top in vetro fumè.  
Base con rivestimento Cat.4.  
*Smoked glass top.  
Base with upholstery Cat.4.*

**CN/FUC4**

180

45

90

73

90

0,78

Top in vetro bronzo.  
Base con rivestimento Cat.4.  
*Bronze glass top.  
Base with upholstery Cat.4.*

**CN/BRC4**

180

45

90

73

90

0,78

Top in vetro fumè.  
Base con rivestimento Cat.5.  
*Smoked glass top.  
Base with upholstery Cat.5.*

**CN/FUC5**

180

45

90

73

90

0,78

Top in vetro bronzo.  
Base con rivestimento Cat.5.  
*Bronze glass top.  
Base with upholstery Cat.5.*

**CN/BRC5**

180

45

90

73

90

0,78