

# ACCADEMIA TABLE LAMP

DISEGNO TULCZINSKY

mc kg

NEWS  
NEWS  
NEWS



Lampade da tavolo in vetro di Murano nelle finiture sputtering bronzo, argento o rame. Base in acciaio lucidato o in finitura Bronze (100M). Impianto luce a LED (6W SPOT GU10 110-240V)

*Table lamps in blown Murano glass in sputtering finish bronze, silver or copper. Base in steel with polished or Bronze (100M) finish. Led lighting system. (6W SPOT GU10 110-240V)*

*Tischlampen aus Murano Glas in Sputtering Bronze, Silber oder Kupfer Finish. Basis aus Edelstahl poliert oder in Bronze (100M) Finish. LED Lichtanlage (6W SPOT GU10 110-240V)*

*Lampes de table en verre de Murano en finition sputtering en bronze, argent ou cuivre. Base en acier brillant ou en finition Bronze (100M). Eclairage à LED. (6W SPOT GU10 110-240V)*

MISURE STANDARD/STANDARD SIZE/STANDARDGRÖSSEN/MESURES STANDARDS

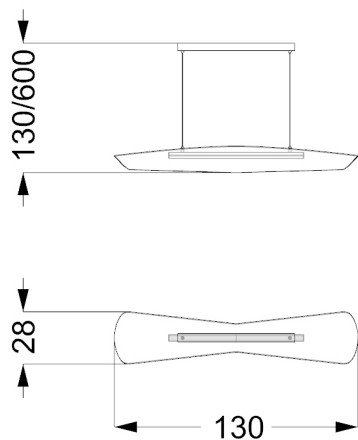
Ø 25 x 47 h

Ø 40 x 35 h

# ALA LAMPADA

DISEGNO TULCZINSKY

mc kg



Lampada a sospensione in vetro curvato con interno verniciato latte. Finitura esterna sputtering bronzo, rame o argento. Impianto luce LED (35W STRIP 24V)

*Pendant lamp in curved glass, internally lacquered in latte colour. External sputtering finish in bronze, copper or silver. LED lighting (35W STRIP 24V)*

*Hängelampe aus gebogenem Glas, innen in Latte Farbe lackiert. Aussen in Sputtering Bronze, Silber oder Kupfer Finish. LED Licht (35W STRIP 24V)*

*Lampe à suspension en verre courbé laqué latte à l'intérieur. Finition extérieur en sputtering bronze, cuivre ou argent. Eclairage LED (35W STRIP 24V)*

MISURE STANDARD/STANDARD SIZE/STANDARDGRÖSSEN/MESURES STANDARDS

130 x 28 x 130/600 max h