

DOVE

Mario Barbaglia and Marco Colombo

Table light with medium-flood beam, ideal as a task or as a reading light. Body in polycarbonate, arm supports in molibdenum steel. Painted in matt black. Double intensity switch.



HALO

LAMPING

Source	GY 6,35 QT-12
Total power	50W
Emission	direct, orientable
Switching	double intensity, switch on board, cable length 2,2m
Tension	230V
Materials	polycarbonate + steel
Notes	orientable, also available in 120V

Codes

DOV HNN 11

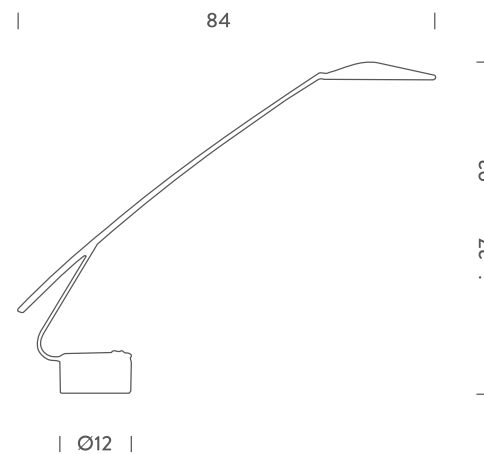
Structure

black

PACKAGE

Package 01 17x24x80 cm / Gross weight: 3.3 Kg

Certificazioni



LED

LAMPING

Source	LED GY 6,35
Total power	3W
Emission	direct, orientable
Switching	double intensity, switch on board, cable length 2,2m
Tension	230V
Color temperature	3000K
Luminous flux	300lm
Energy class	A+
Materials	polycarbonate + steel
Notes	orientable, also available in 120V

Codes

DOV LNN 11

Structure

black

PACKAGE

Package 01 17x24x80 cm / Gross weight: 3.3 Kg

Certificazioni

