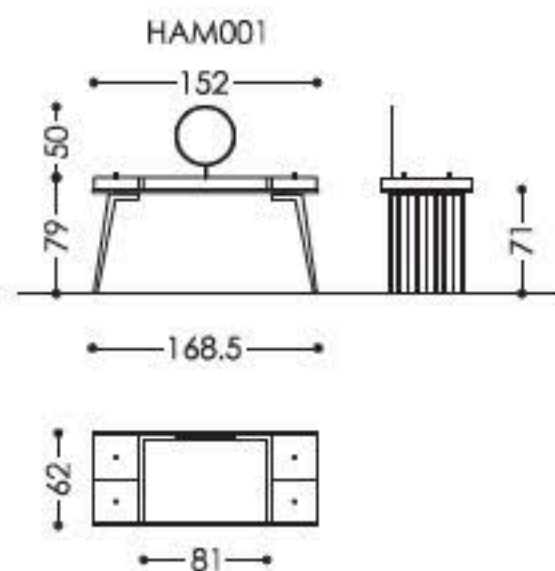


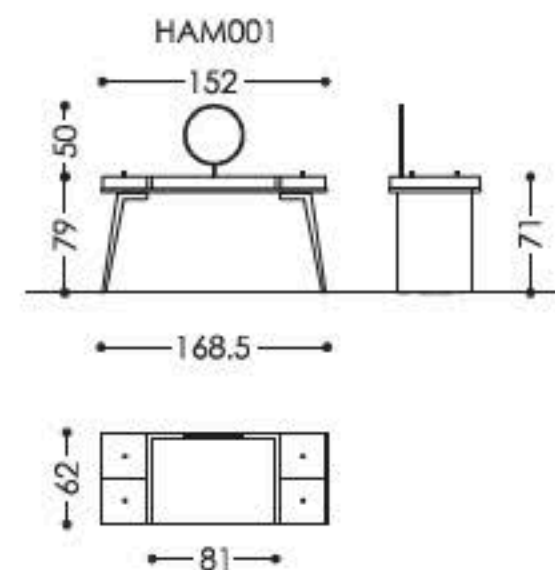
## HAMPTONS METAL VANITY



Vanity in legno. Disponibile in diverse essenze secondo campionario o laccato in colori RAL.  
Inserti in metallo: effetto ottone verniciato, nickel satinato, cromo, verniciato in colori RAL.

*Vanity in wood. Available in different wood finishes according to samples or lacquered in RAL colors.  
Metal parts finishes: brass painted effect, nickel satin, chrome, painted in RAL colors.*

## HAMPTONS WOOD VANITY



Vanity in legno. Disponibile in diverse essenze secondo campionario o laccato in colori RAL.  
Inserti in metallo: effetto ottone verniciato, nickel satinato, cromo, verniciato in colori RAL.

*Vanity in wood. Available in different wood finishes according to samples or lacquered in RAL colors.  
Metal parts finishes: brass painted effect, nickel satin, chrome, painted in RAL colors.*