

# noa

Design: **LIAM 3**

MANIGLIONI SENZA ROSETTE  
PULLS WITHOUT ROSETTES

Materiale: Ottone  
Material: Brass



**HPS**  
Zirconium  
gold HPS



**HPS/1**  
Zirconium  
stainless-steel HPS

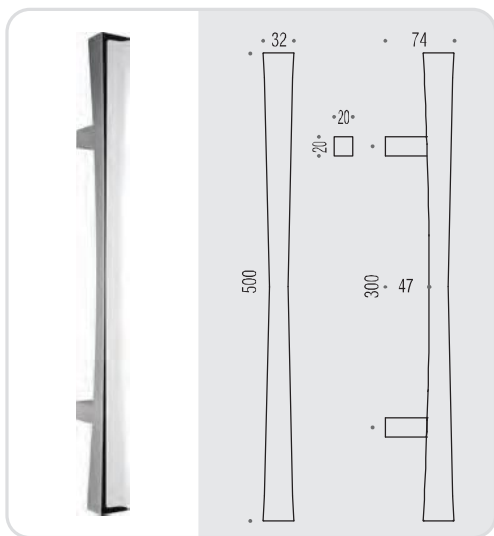


**CR**  
Cromo  
Chrome

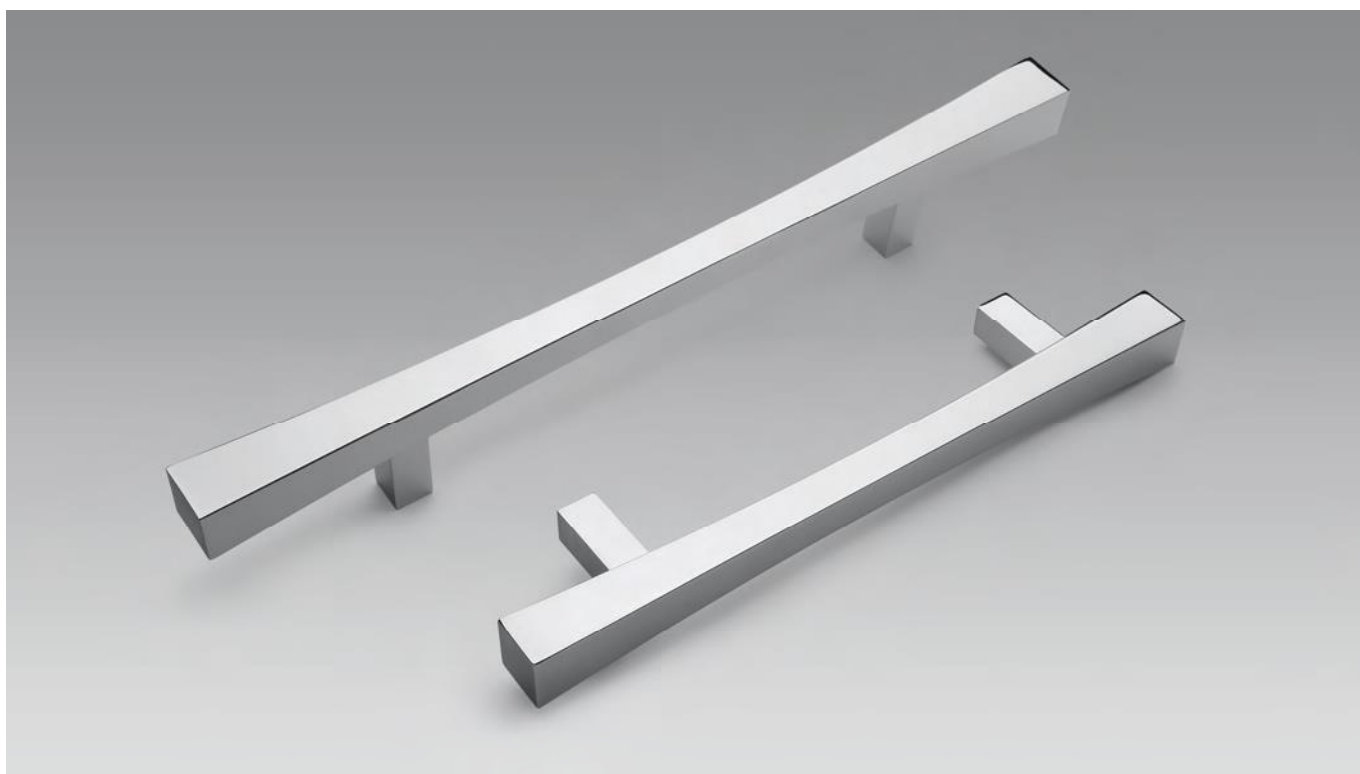
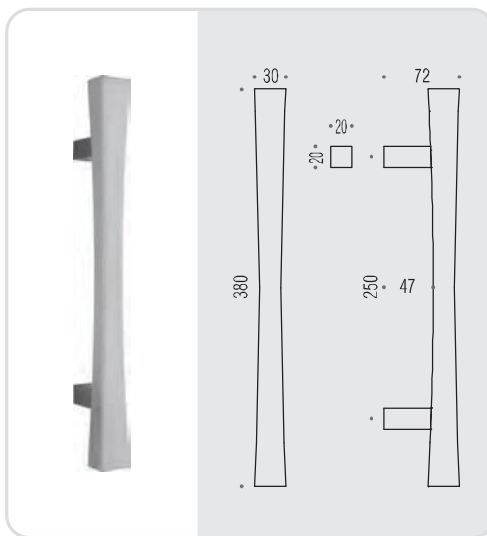


**CM**  
Cromat  
Matt chrome

## ID 16 A



## ID 16 B



# noa

Design: **LIAM 3**

MANIGLIONI SENZA ROSETTE  
PULLS WITHOUT ROSES

Materiale: Ottone  
Material: Brass



**HPS**  
Zirconium  
gold HPS



**HPS/1**  
Zirconium  
stainless-steel HPS

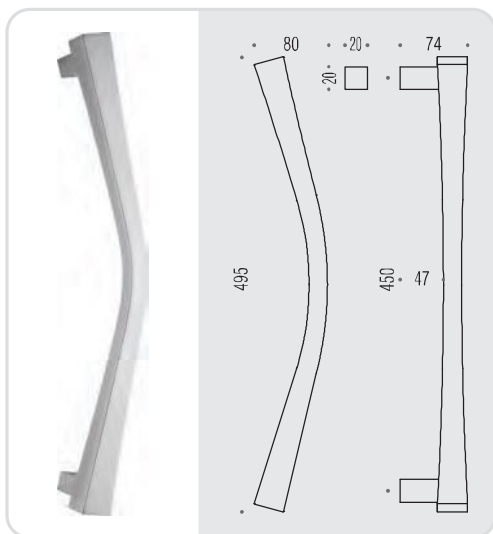


**CR**  
Cromo  
Chrome



**CM**  
Cromat  
Matt chrome

## ID 26 A



## ID 26 B

