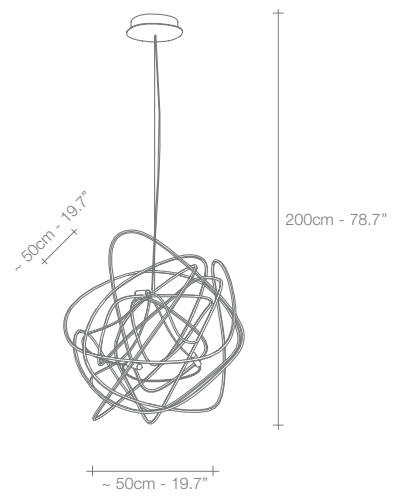
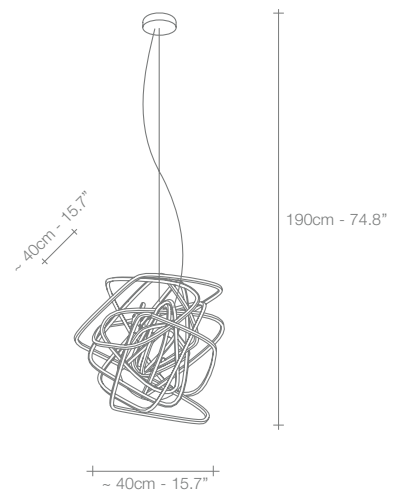


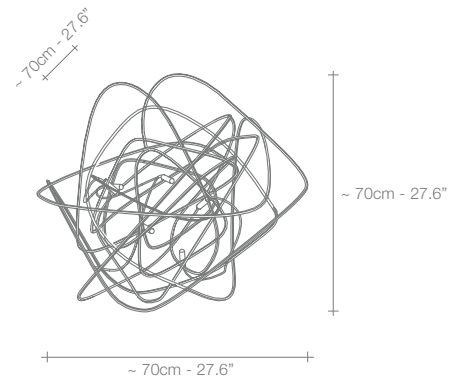
**J92S**



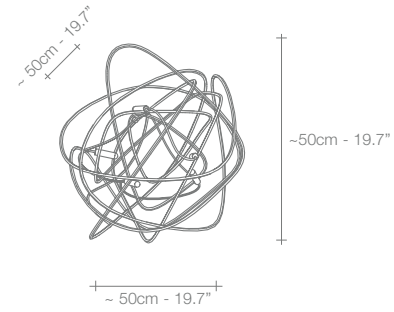
**J93S**



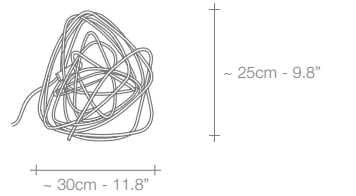
**J95S**



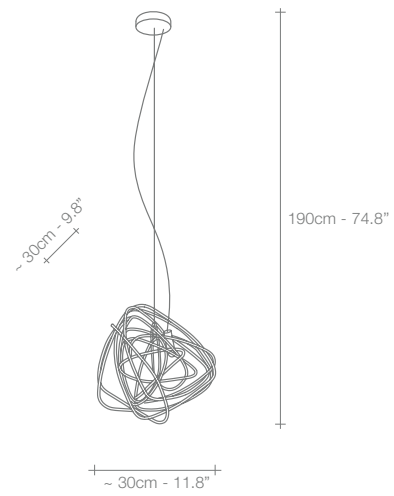
**J90P**



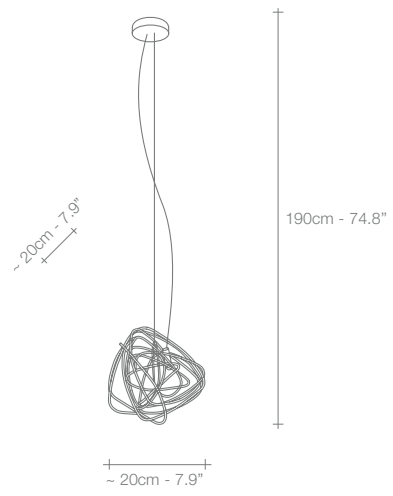
**J89P**



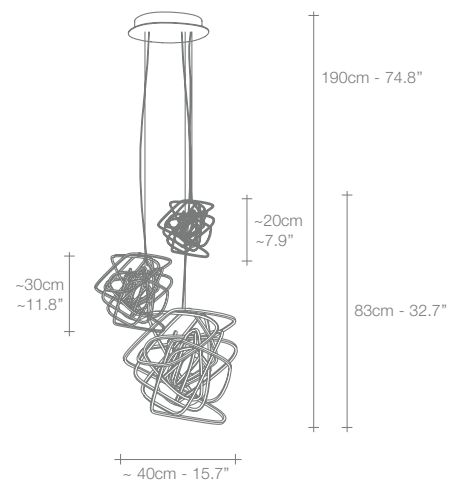
**J84B**



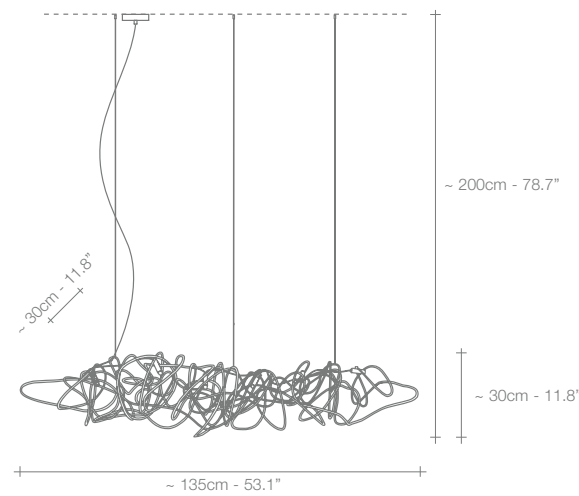
**J80S**



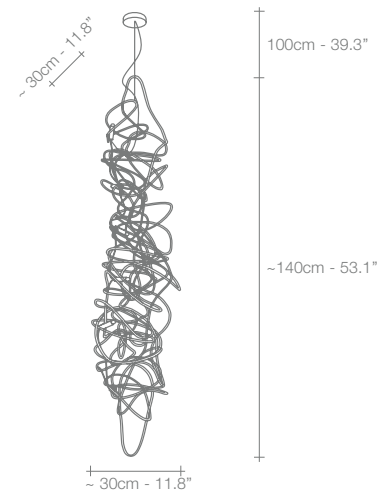
**J96S**



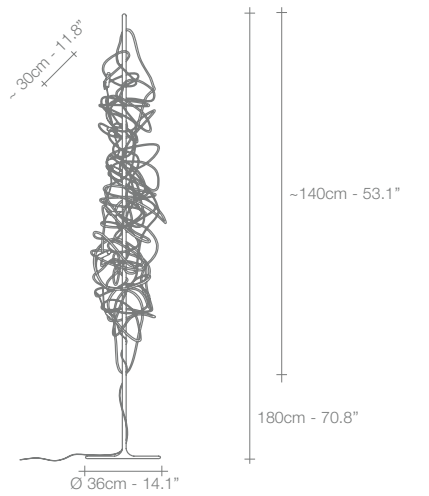
**J94S**



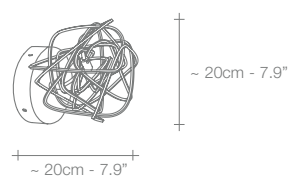
**J81S**



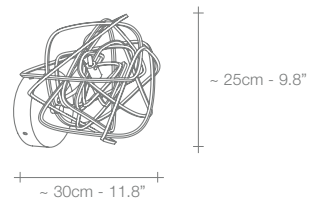
**J87S**



**J86P**



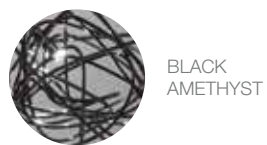
**J88A**



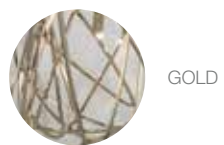
**J82A**



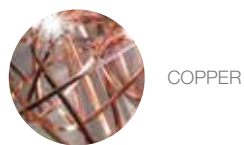
NICKEL



BLACK AMETHYST



GOLD



COPPER

**J80S J81S J82A J84B J86P J87S J88A J89P J90P J92S J93S J94S J95S J96S**

120V 230V



LED PHILIPS G4 CAPSULE LINE

2W G4 (=20W)	6x2W G4 (=20W)	2W G4 (=20W)	2W G4 (=20W)	6x2W G4 (=20W)	6x2W G4 (=20W)	2W G4 (=20W)	5x2W G4 (=20W)	7x2W G4 (=20W)	7x2W G4 (=20W)	5x2W G4 (=20W)	5x2W G4 (=20W)	3x2W G4 (=20W)	2W G4 (=20W)
2W G4 (=20W)	6x1W G4 (=10W)	2W G4 (=20W)	2W G4 (=20W)	6x1W G4 (=10W)	2W G4 (=20W)	2W G4 (=20W)	5x2W G4 (=20W)	7x1W G4 (=10W)	7x2W G4 (=20W)	5x2W G4 (=20W)	5x2W G4 (=20W)	3x2W G4 (=20W)	2W G4 (=20W)