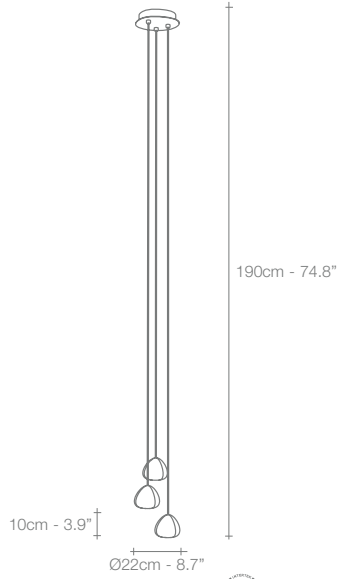


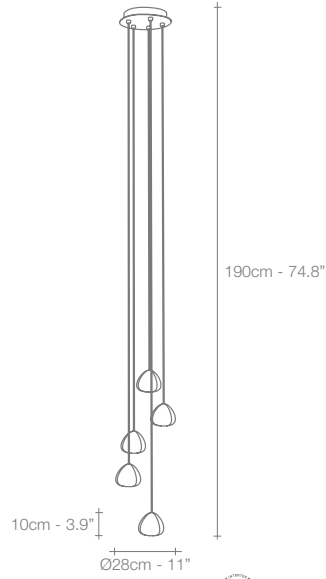
R01S

BRUSHED NICKEL
CIRCULAR CANOPY



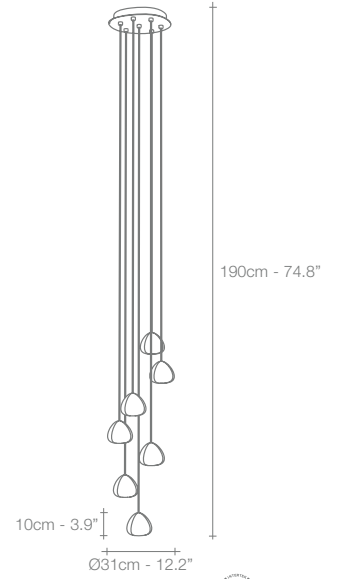
R03S

BRUSHED NICKEL
CIRCULAR CANOPY



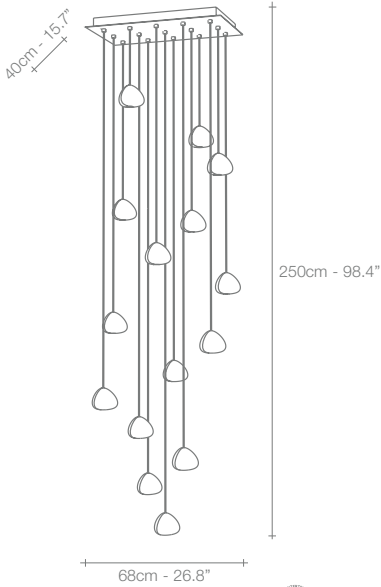
R05S

BRUSHED NICKEL
CIRCULAR CANOPY



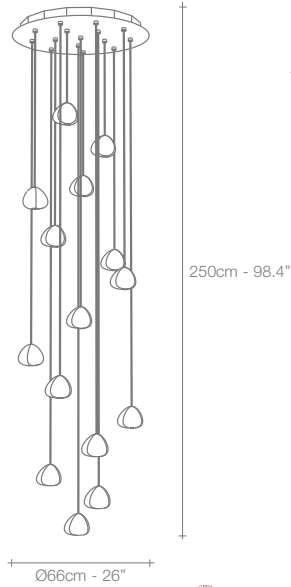
R07S

BRUSHED NICKEL
CIRCULAR CANOPY



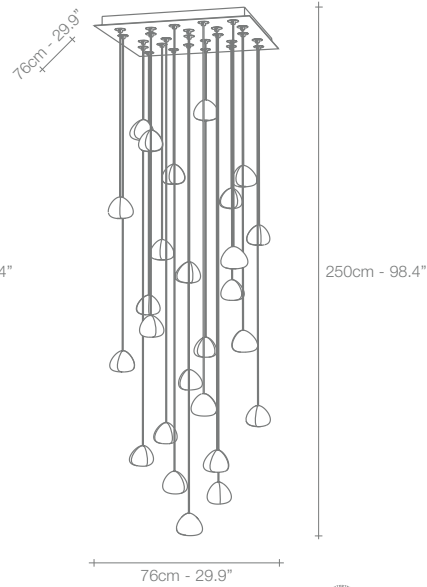
R15SR

WHITE
RECTANGULAR CANOPY



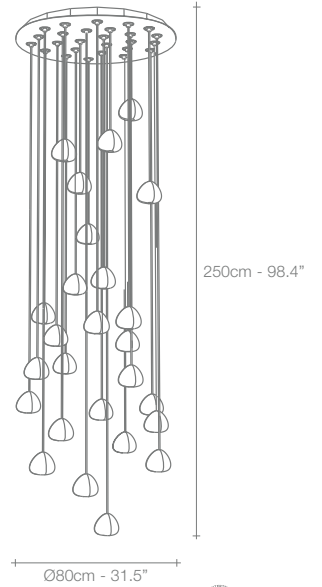
R15ST

WHITE
CIRCULAR CANOPY



R26SQ

WHITE
SQUARE CANOPY



R26ST

WHITE
CIRCULAR CANOPY



CRYSTAL



GOLD CRYSTAL



SILVER DUST CRYSTAL

	R01S	R03S	R05S	R07S	R15SR	R15ST	R26SQ	R26ST
230V	 HALOGEN 12V G4	10W	3X10W	5X10W	7X10W	15X10W	15X10W	26X10W
120V	 XENON BI-PIN 12V T3 G4	10W	3X10W	5X10W	7X10W	15X10W	15X10W	26X10W

MIZU CAN BE
MANUFACTURED TO WORK
WITH BI-PIN LED LIGHT
SOURCE ON REQUEST