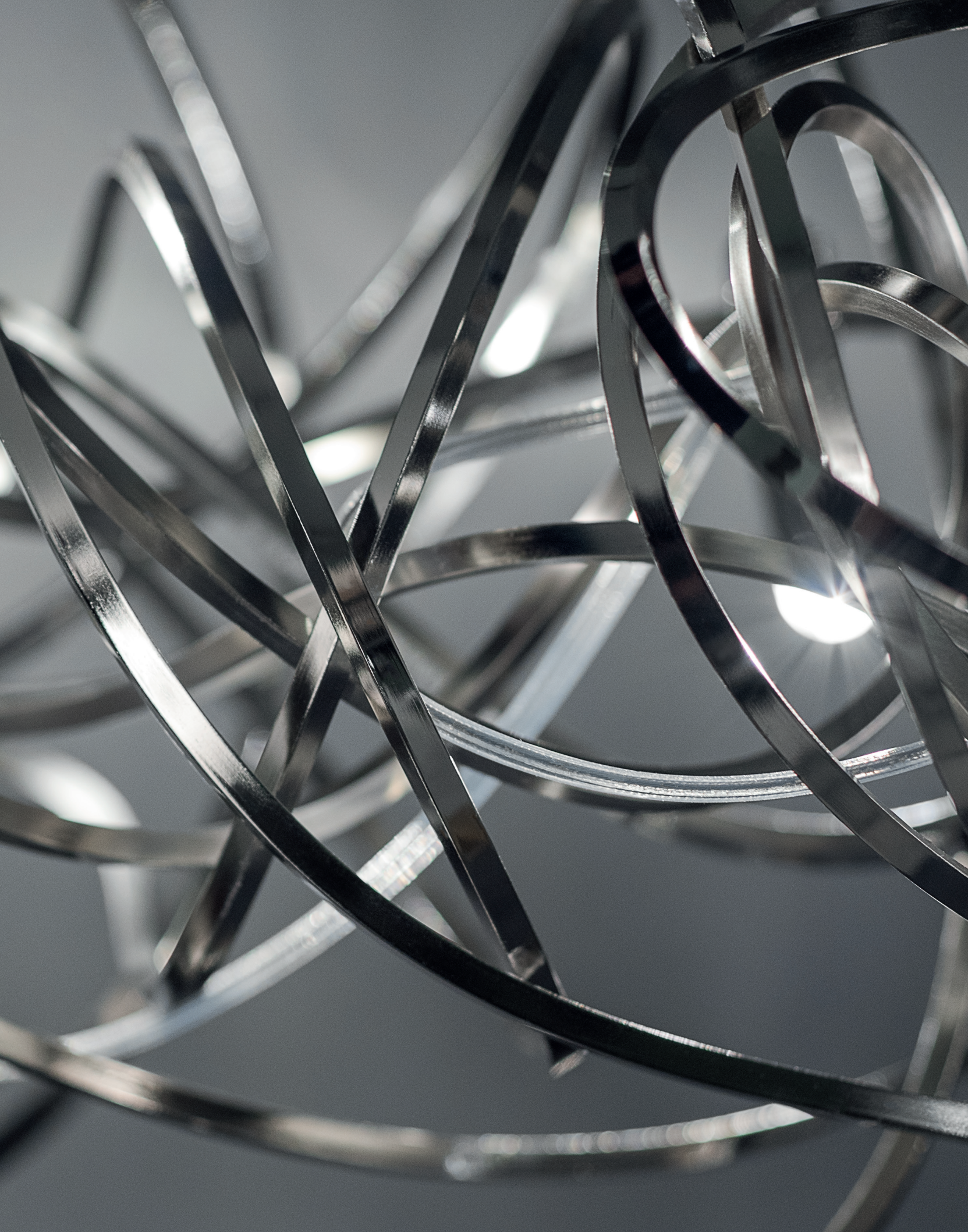


Doodle, Freehand *Design.*

We no longer march in a straight line. Our lives are dynamic, intertwining collections of relationships, experiences and journeys. Reflecting the fluidity of our generation, designer Simone Micheli has created a new, contemporary light for Terzani, Doodle. Like us, each Doodle is unique, each pendant is handcrafted by artisans to resemble a randomised path. And, to give us control over the journey we want to take, each LED bulb can be placed anywhere on the light, not only reflecting the choices we make in life, but giving Doodle a special flexibility. Design Simone Micheli.









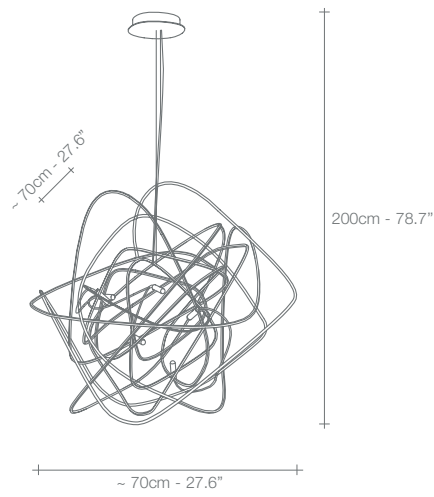




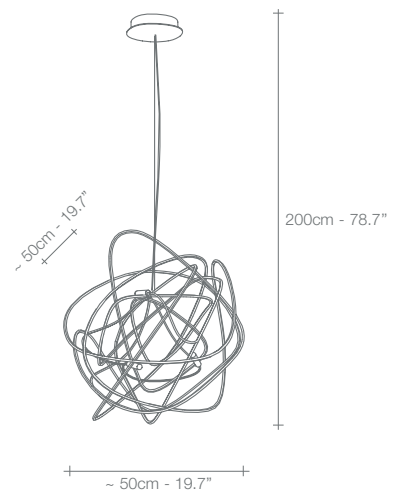




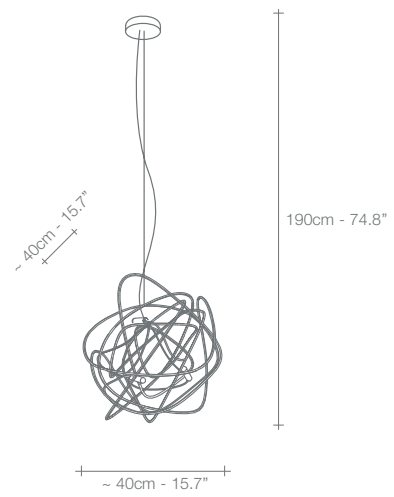




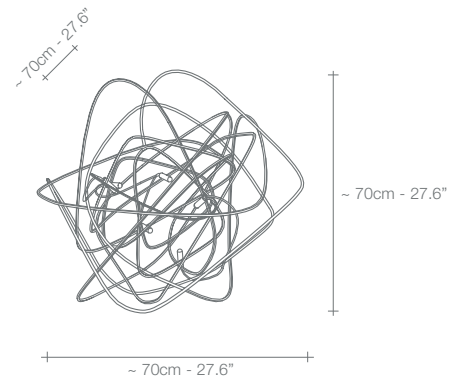
J92S



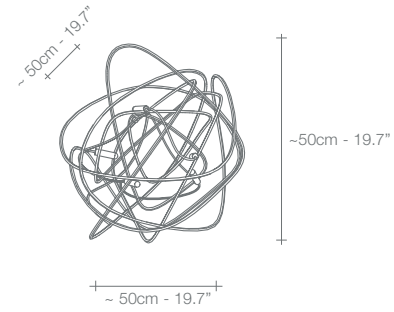
J93S



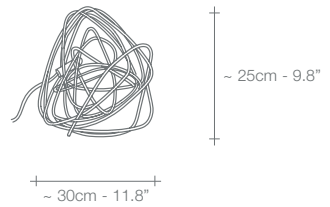
J95S



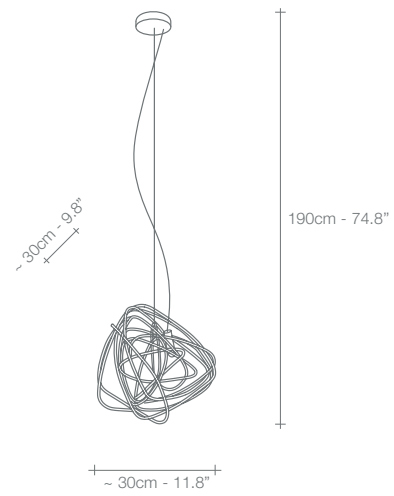
J90P



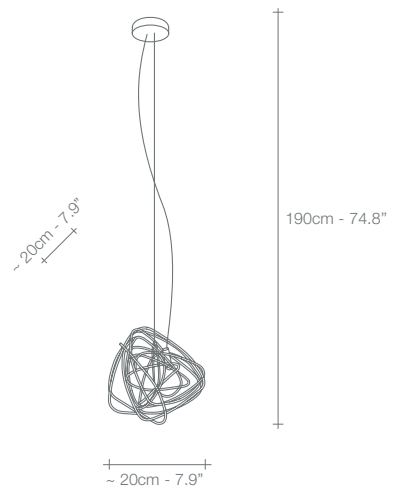
J89P



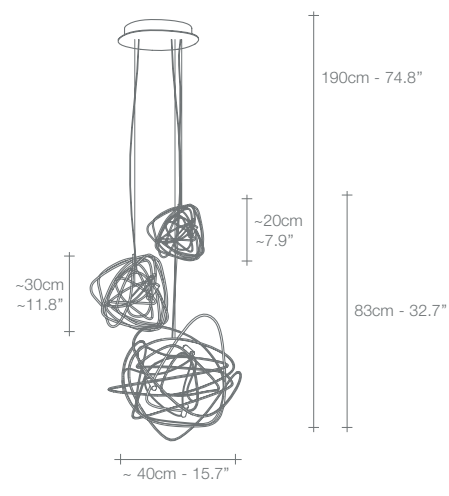
J84B



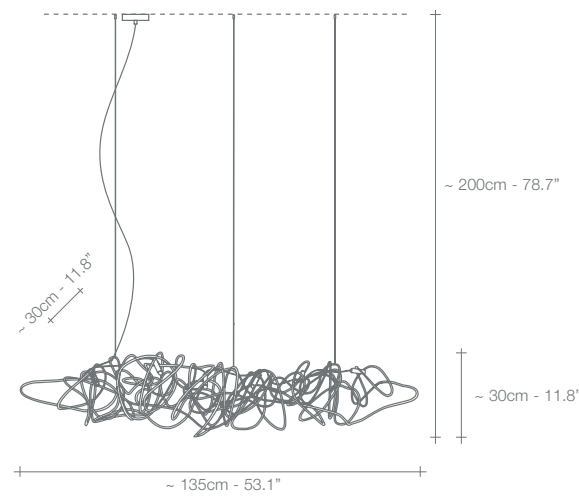
J80S



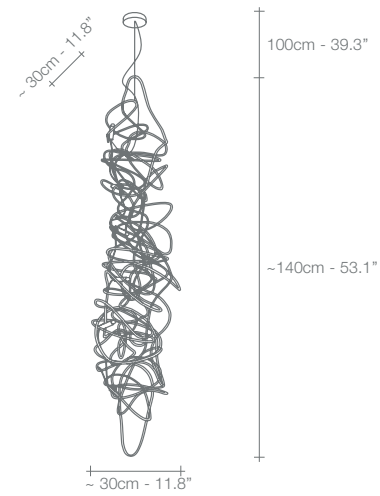
J96S



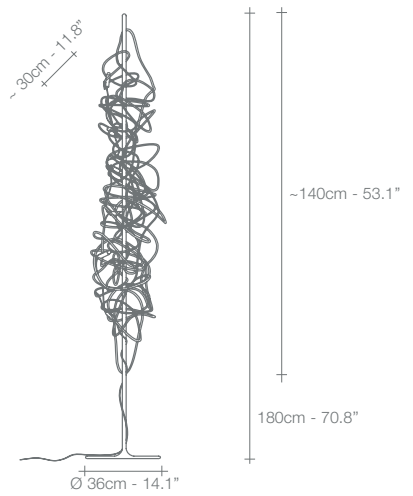
J94S



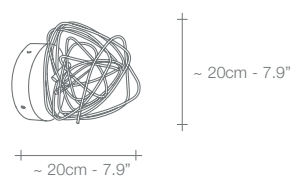
J81S



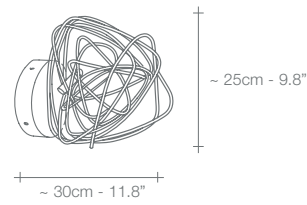
J87S



J86P



J88A



J82A



NICKEL



BLACK AMETHYST



GOLD



COPPER

J80S J81S J82A J84B J86P J87S J88A J89P J90P J92S J93S J94S J95S J96S

120V 230V



LED PHILIPS G4 CAPSULE LINE

2W G4 (=20W)	6x2W G4 (=20W)	2W G4 (=20W)	2W G4 (=20W)	6x1.2W G4 (=12W)	6x2W G4 (=20W)	2W G4 (=20W)	5x2W G4 (=20W)	7x1.2W G4 (=12W)	7x2W G4 (=20W)	5x2W G4 (=20W)	5x2W G4 (=20W)	3x2W G4 (=20W)	2W G4 (=20W)
2W G4 (=20W)	6x2W G4 (=20W)	2W G4 (=20W)	2W G4 (=20W)	6x1W G4 (=10W)	2W G4 (=20W)	2W G4 (=20W)	5x2W G4 (=20W)	7x1W G4 (=10W)	7x2W G4 (=20W)	5x2W G4 (=20W)	5x2W G4 (=20W)	3x2W G4 (=20W)	2W G4 (=20W)