

ILIUM PENDANT

Foster + Partners

Floor, table and pendant lamps with a diffused and dimmable light output. Fluorescent, halogen and LED sources, according to versions. Body with inner diffuser in opal polymeric (pendant LED version excluded) and outer diffuser in transparent barrel glass. Base of floor and table versions is in polished steel.



50 E27 FLUO/LED/HALO

LAMPING

Source	E27 halo par 20 bulb
Total power	50W
Emission	downlight, flood
Switching	dimnable, according to bulb
Tension	230V
Materials	aluminium + glass
Notes	cable lenght 3m

Codes

ILI HHC 52

Structure/Diffuser

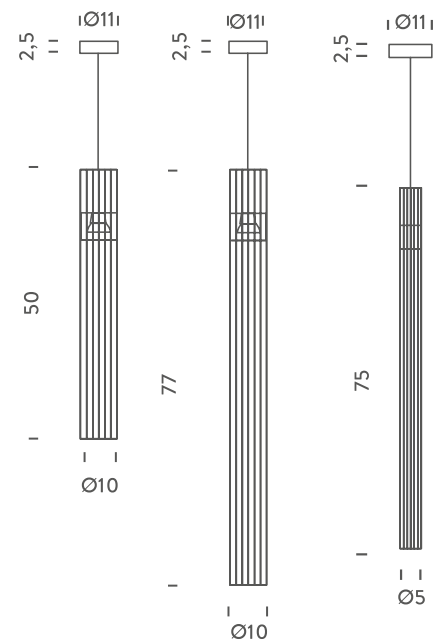
chrome/opal white

PACKAGE

Package 01

22x22x71 cm / Gross weight: 3.4 Kg

Certificazioni



75 LED

LAMPING

Source	LED board
Total power	6W
Emission	downlight
Tension	110/230V
Color temperature	3000K
Luminous flux	980lm
Typ cri	85
Energy class	A+
Materials	aluminium + glass
Notes	cable lenght 3m

Codes

ILI LHC 51

Structure/Diffuser

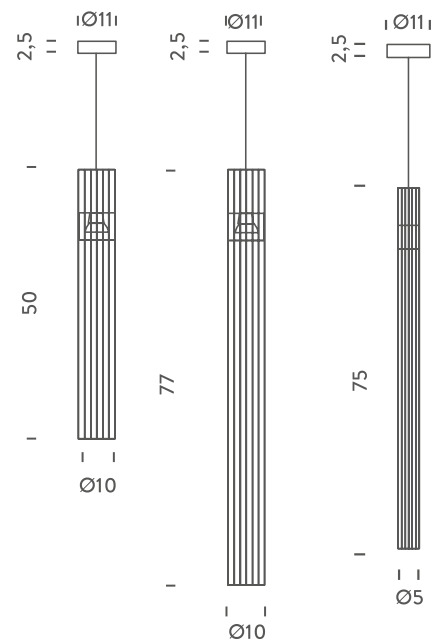
chrome/opal white

PACKAGE

Package 01

22x22x98 cm / Gross weight: 4.2 Kg

Certificazioni



77 E27 FLUO/LED/HALO

LAMPING

Source	E27 halo par 20 bulb
Total power	50W
Emission	downlight, flood
Switching	dimnable, according to bulb
Tension	230V
Materials	aluminium + glass
Notes	cable lenght 3m

Codes

ILI HHC 51

Structure/Diffuser

chrome/opal white

PACKAGE

Package 01

22x22x98 cm / Gross weight: 4.2 Kg

Certificazioni

