

Frame, Nature's *Imprint.*

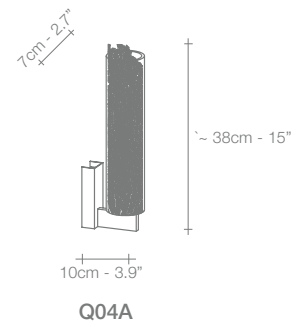
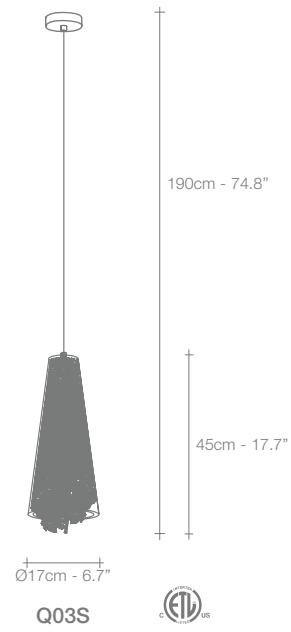
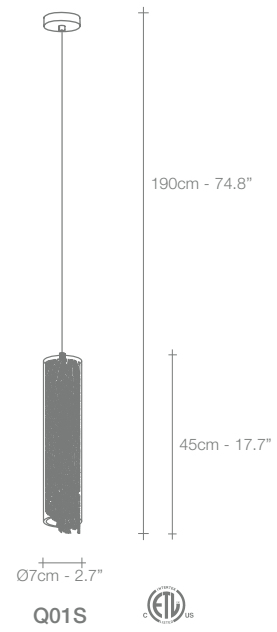
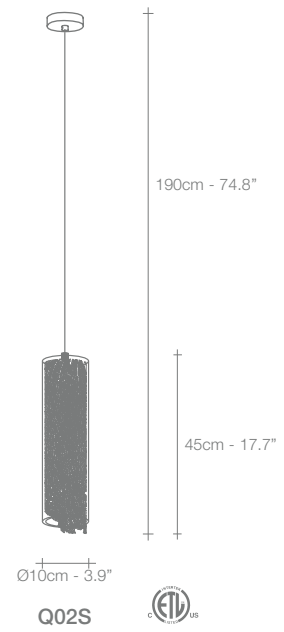
Capturing a moment in time, Frame features a metal coral leaf, enclosed inside a borosilicate glass preserving a delicate imprint of nature. Hidden inside is a single bulb which glows from within. Creating a stirring light that projects a dynamic shadow due to the permeable coral. Frame is available in white, red, gold plated or silver plated. Design Terzani Lab.











	Q01S	Q02S	Q03S	Q04S
230V	HALOGEN ES E14	28W (=40W)	28W (=40W)	42W (=60W)
120V	FLAME CA 10 E12	40W	40W	60W
				HALOGEN ES G9
				33W (=40W)
				HALOGEN JCD G9
				35W

LED LIGHT BULBS MAY BE USED

