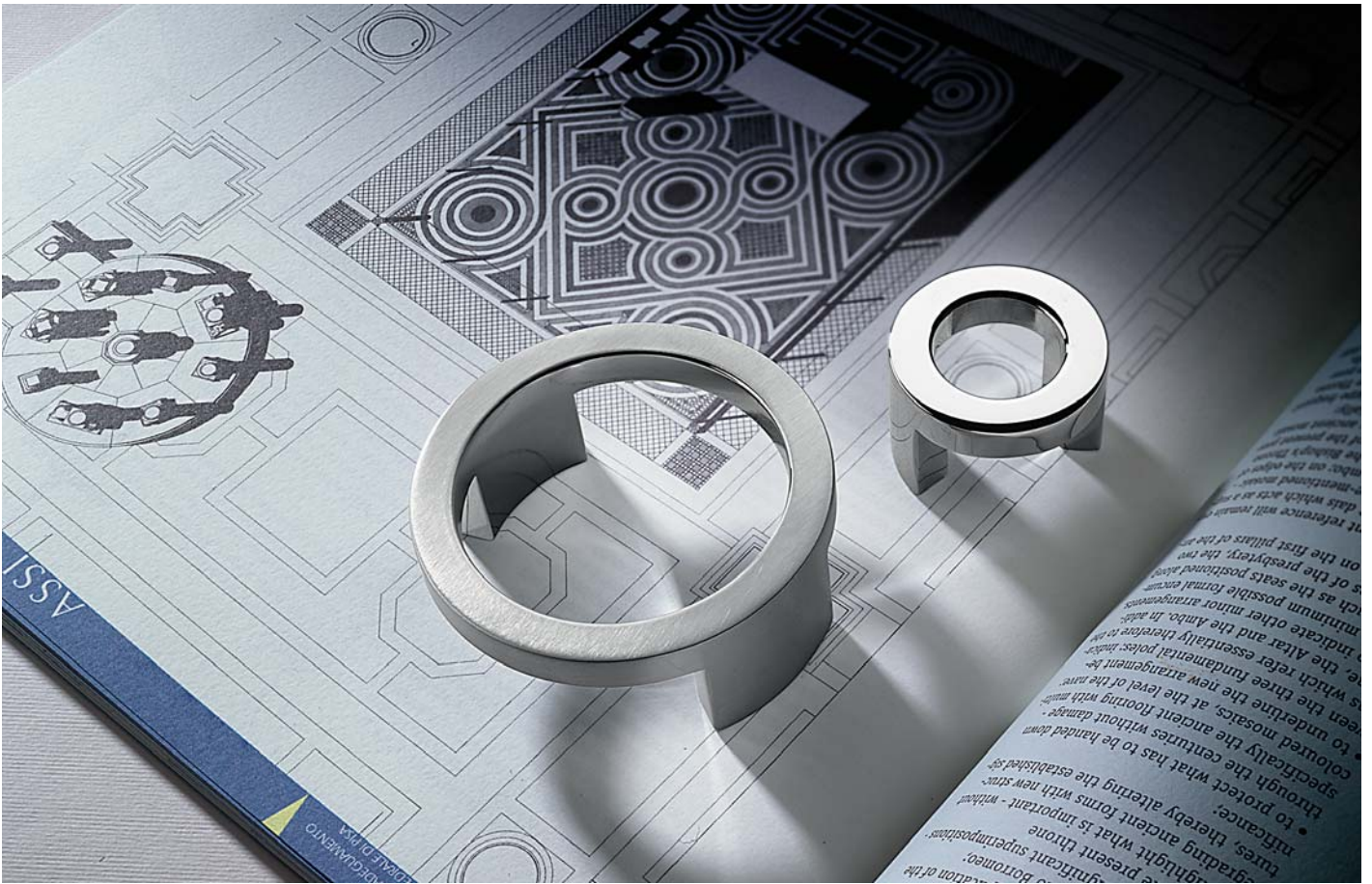


F517

TEAM 3



Materiale: Cromall®
Material: Cromall®

Finiture: Cromo
Finishes: Chrome

Cromosat
Satin chrome

